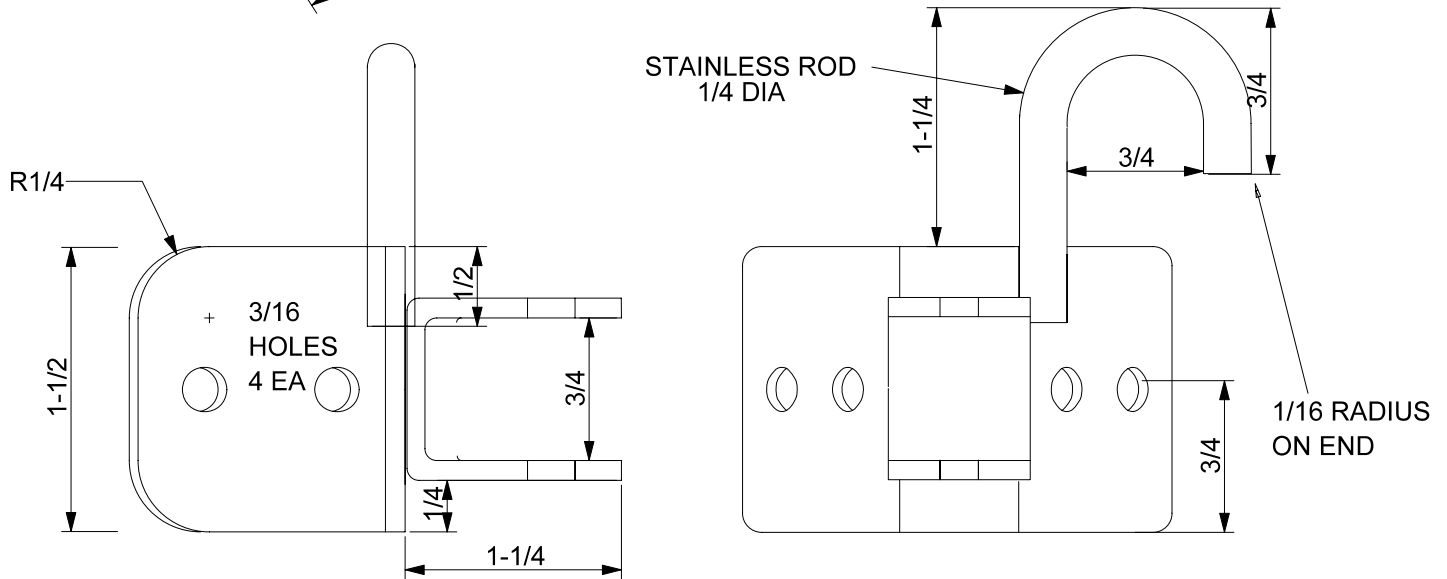
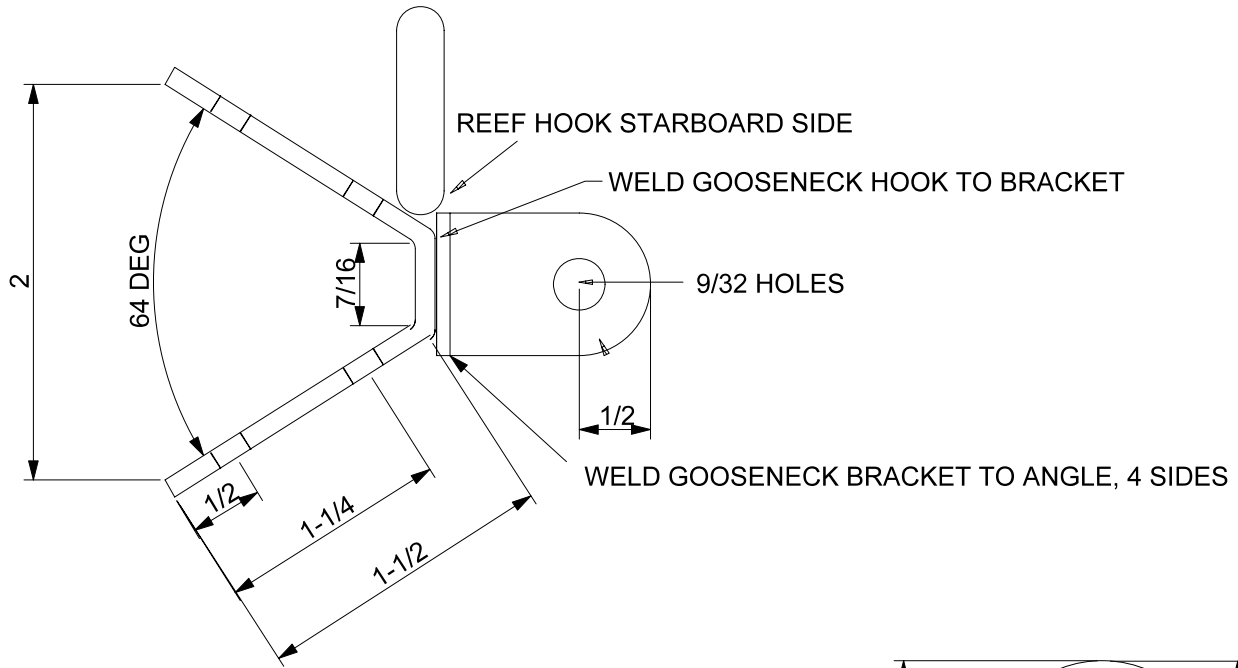


12 GA .104 302/304 STAINLESS  
 POLISHED WELL  
 ON EXPOSED SURFACES



GOOSENECK V BRACKET

---

FOR MACGREGOR 26M:  1  PER BOAT

DRAWING DATE:  NOVEMBER 3, 2005

MACGREGOR PART NUMBER:  520